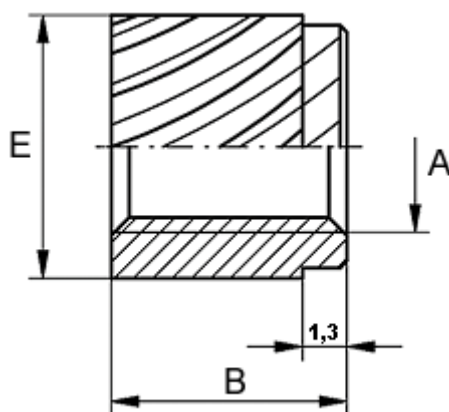


Data Sheet



Article number: 12890000025100
Description: KLEE-coil 890 000 025.100
M2,5 Hardened/zinc-pl.

Measures



Female thread A	= M2,5
Length B	= 4.5
Min material thickness	= 2.0
Outer diameter E	= 5.3
Recommended bore diameter	= 4.8
Type	= 890 000 025.100